

SWE 08B

MINI-SIZED EXCAVATOR



Engine netpower:7.2kW
Machine weight:1010kg

SWE08B is a compact mini-sized excavator applied in narrow spaces, featuring high reliability, easy operations, and excellent protection for the driver. It will become your excellent partner.



Tops

The standard tiltable/foldable protection cage conforms to the EU Tops safety certification requirements to safeguard the driver. This protection cage features better trafficability after being folded.



Yanmar engine

Trustworthy on compact equipment, this engine features low noise, low vibration, and easy maintenances for main parts.



Telescopic chassis

Controlled by simple single joystick, the chassis width can be retracted to 750mm to adapt to narrow spaces. On the contrary, the chassis width can be extended to 1,000mm to improve the stability by 15% and even allow the use of hydraulic breaking hammer.

With simple rotating shaft, the dozer blade is capable of rapid folding.



With the chassis retracted to 750mm, the SWE08B can drive through most narrow door openings successfully for operations indoors.



Quick change device

It can allow the removal and installation of various buckets and attachments in a time-saving and rapid manner.



Working device pipeline

The transitional connection is applied for all working pipelines at the boom root to ease repairs and replacement and all exposed pipelines vulnerable to collision or scratch are protected by steel sleeves to effectively prolong the life.



Hoisting points

3 hoisting points are provided for direct hoisting and ensure easy loading and unloading, featuring high safety and simplicity.



Enhanced cast
slew-connector



Aluminum pedal control

Pilot control for working device

The hydraulic pilot control is firstly applied for the working device, featuring better accuracy and smoothness.



Safety seat belt

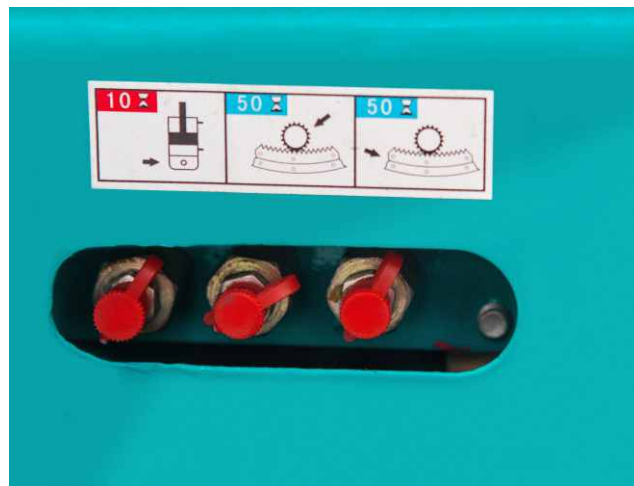
Easy maintenance

The tiltable engine hood allows the exposure of most engine area to ease the repairs.



- | | | | |
|-------------------------|-------------------------------------|----------------------------|-------------------------|
| A Water tank cap | D Starter motor | G Oil return filter | J Fuel filter |
| B Air filter | E Auxiliary water tank | H Battery | K Engine oil cap |
| C Alternator | F Oil suction filter element | I pressure gauge | L Fuel tank cap |

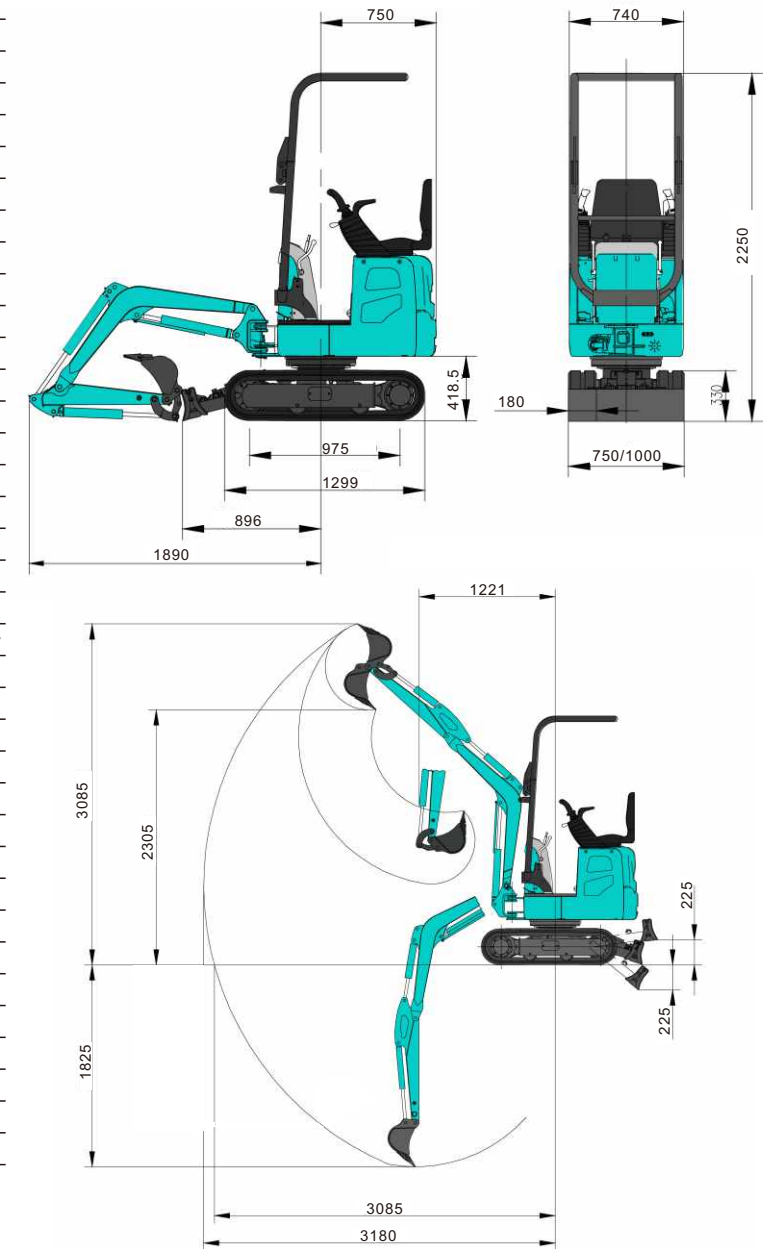
Centralized greasing



External centralized pressing gauge



SWE08B Technical Parameters				
Type of cab	canopy			
Bucket capacity, std.	m ³	0.022		
Bucket width	mm	320		
Machine weight	kg	1010		
Dimensions	Overall length	mm	2640	
	Overall height	mm	2250	
	Overall width	mm	750	
	Ground clearance	mm	131	
Engine	Brand	Yanmar		
	Model	2TNV70-PSU		
	Displacement	L	0.57	
	Output	kW/rpm	7.2/2400	
Working ranges	Max cutting height	mm	3085	
	Max loading height	mm	2305	
	Max digging depth	mm	1825	
	Max digging reach	mm	3180	
	Boom swing angle (left/right)	°	73/53	
	Front swing radius	mm	1221	
	Tail swing radius	mm	750	
	Max digging force (Arm)	kN	5.8	
	Max digging force (Bucket)	kN	9.4	
	Track	Type	Rubber crawler	
Track Width		mm	180	
Undercarriage	Track Length	mm	1299	
	Length to center of Rollers	mm	975	
	Lenhth to center of track	mm	560/820	
	Travelling speed (High/Low)	km/h	2.9/1.5	
	Gradeability	deg	30	
Swing speed	rpm	8.2		
Ground pressure	kpa	24.5		
Dozer size	Width	mm	750/1000	
	Height	mm	190	
	Lifting capacity (Height/Depth)	mm	225/225	
Hydraulic pumps	Type	3 Gear pump		
	Displacement	L/min	3*9.6	
	Hydraulic pressure	Mpa	2*16	
Fuel tank capacity	L	10		
Hydraulic oil tank capacity	L	9.5		



Load Capability:

Lift Point Height	Lift Point Radius(MAX)		Lift Point Radius(2.0m)		Lift Point Radius(1.0m)	
	Over-front(kg)	Over-side(kg)	Over-front(kg)	Over-side(kg)	Over-front(kg)	Over-side(kg)
2.0m	119.60*	86.6	129.20*	107.30	-	-
1.0m	157.90*	61.9	135.50	94.90	416.40*	264.00
0.0m	196.20*	70.1	224.90*	86.60	445.10*	202.20
-1.0m	205.80*	127.9	-	-	287.10*	243.40

Notes:

- Load with * is limited by hydraulic capacity and based on ISO 10567. Rated loads do not exceed 87% of hydraulic capacity.
- Load without * is limited by tipping load and based on ISO 10567. Rated loads do not exceed 75% of tipping capacity.
- The excavator bucket, hook, sling and other lifting accessories are not included in this table.

